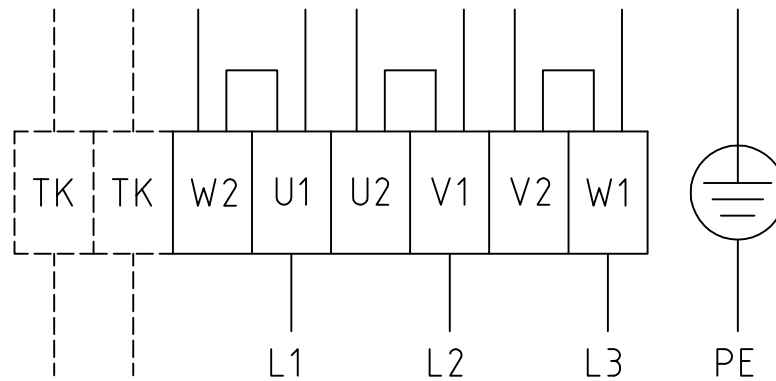
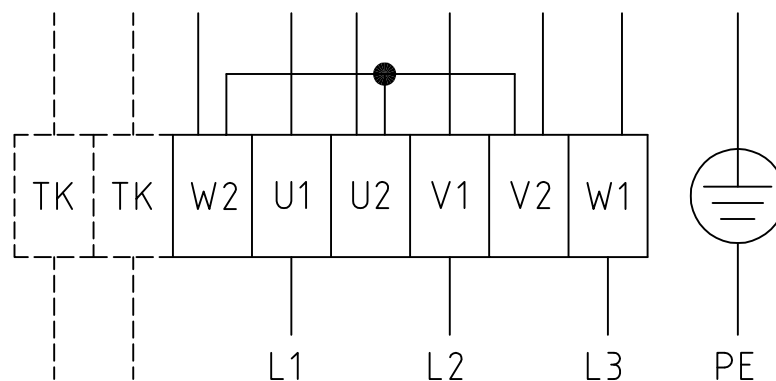


- △ 3~/400V 6-POLE (900 RPM)
- △ 3~/400V 8-POLE (700 RPM)
- △ 3~/400V 12-POLE (450 RPM)
- △ 3~/400V 14-POLE (400 RPM)





TK = THERMO CONTACT

- Y 3~/400V 6-POLE (690 RPM)
- Y 3~/400V 8-POLE (500 RPM)
- Y 3~/400V 12-POLE (300 RPM)
- Y 3~/400V 14-POLE (250 RPM)



TK = THERMO CONTACT

DETAIL NO PART NO	MOTOR WIRING DIAGRAM △ / Y			This document is AIA:s property and may not without AIA:s written permission be copied, imparted to a third person or used for any other unauthorized purpose.		
	X2 - 80Q/91Q/100Q - 3/400V					
	 www.aia.se		DRAWN MR DATE 2009-04-30		INCLUDED IN	REPLACES
	APPR. TE		SIGN.	SCALE 1:1	DRAW. NO 05-1483-1	REV.